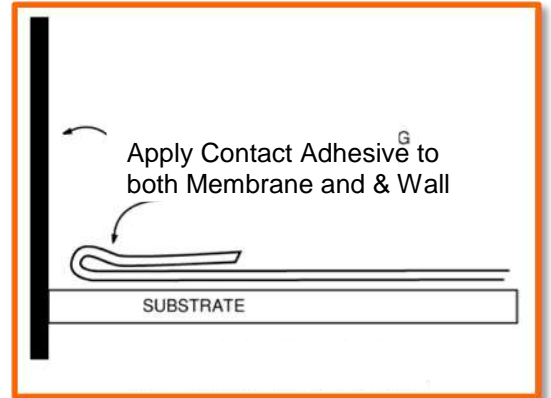


INSTALLING WALL TRIMS

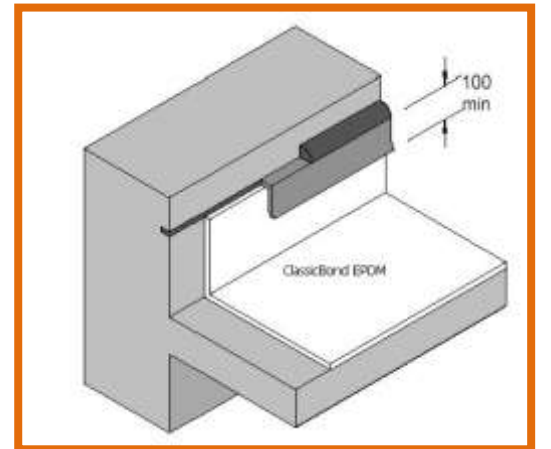
The membrane should extend up the wall a minimum of 150mm (6")

BONDING TO VERTICAL SURFACE: When Bonding to a vertical surfaces fold the membrane back. Apply Contact Bonding adhesive to **both** surfaces and allow it to dry to a finger touch (5-10 minutes depending on weather conditions). The membrane can then be rolled back up the wall. Broom or squeegee the membrane surface to insure intimate contact of the membrane to the substrate.



INSTALLING A WALL TRIM –After adhering the membrane up the vertical wall, trim the membrane and fit the Wall Trim into the pre-prepared groove in the mortar joint or render. The Wall Trim can be secured using self-sealing hex screws at 1500mm intervals.

N.B. To install a wall trim it is necessary to angle grind out a mortar join to accept the trim profile.



PITCHED ROOF TERMINATION: When installing an EPDM membrane system with a tie-in to an existing Tiled / slate roof, remove a minimum of three (3) courses of tiles.

Adhere the membrane onto the sloped roof deck or lay board using contact adhesive. Ensure that any roof breather membrane or sarking felt sits on top of the rubber membrane. Nail the top of the membrane every 150mm (6") and install the Tiles over the EPDM membrane.

