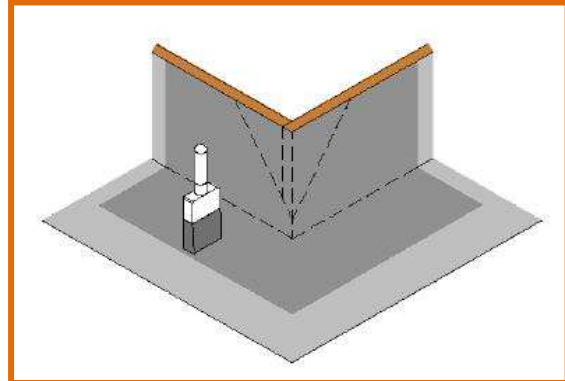
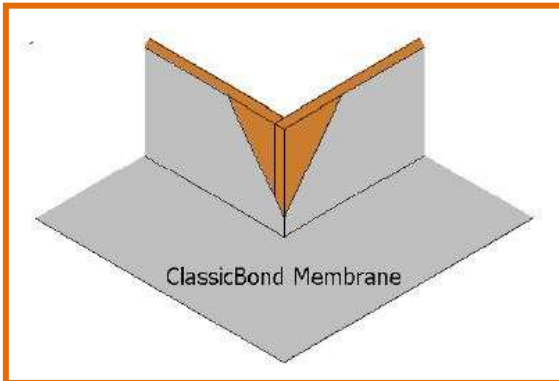
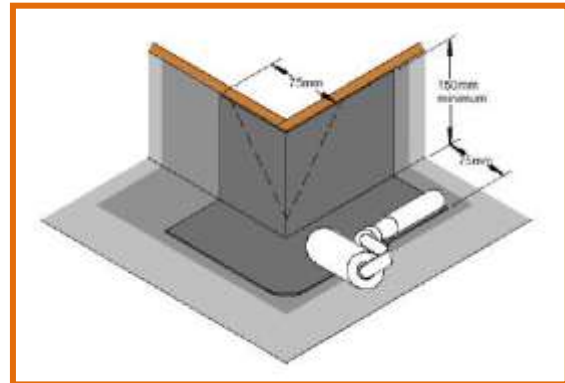
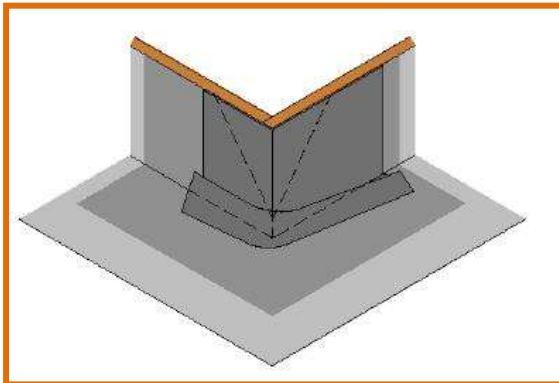


## EXTERNAL CORNER DETAIL

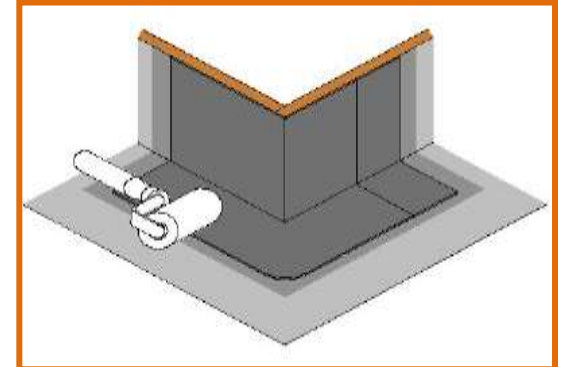
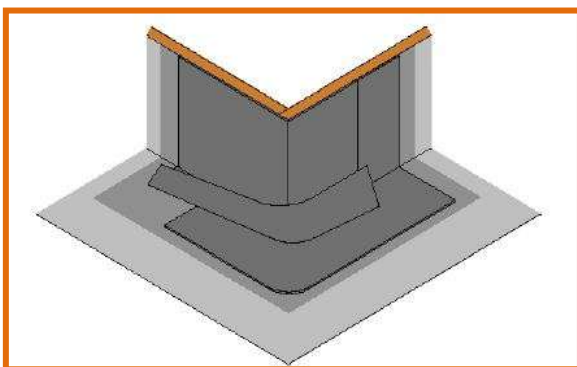
The membrane should extend up the wall as far as possible or least 150mm.



- 1) Cut the rubber membrane to fold around the corner and fully bond to the up stand.
- 2) Apply Rubber Primer to the area to be flashed, must be touch dry before installing flashing tape



- 3) Remove cellophane backing from 9" Uncured Flashing Tape and fit from the top down releasing any air and working tight into the angle change. Fold the bottom flap on to the deck.
- 4) Apply pressure using a silicon Seam roller.



- 5) Repeat the process from the opposite direction (ENSURE PRIMER IS APPLIED OVER FIRST UNCURED FLASHING TAPE)
- 6) Roll out the entire flashing to finish.